

Incremental 115-mm-Dia. Rotary Encoder

M115SA

General purpose encoder with external Diameter of 115mm

- Incremental model
- External diameter of 115mm
- Resolution up to 5400 ppr.
- Various output type
- Solid shaft with Dia at 11 mm



Ordering Information

M115SA-

1 2 3 4 5 6 7

Section 1: Basic model name

M115SA: 115mm Rotary Encoder(Mounting Type A)

Section 2: Shaft Size

11: Solid shaft with Dia at 11 mm

Section 3: Resolution

10: 10 ppr
20: 20 ppr

40 50 60 80 100 120 125 150
200 225 240 250 256 300 360 400 450
480 500 512 600 625 720 750 800 900
1000 1024 1080 1200...up to 5400

Not indicated resolution is customizable

Section 4: Output phase

3: A B Z
6: A \bar{A} B \bar{B} Z \bar{Z}

Section 5: Output type

C: Complementary(also known as totem pole)
N: NPN Open collector
P: PNP Open collector
V: Voltage output
L: Line driver(**Power source 5VDC ONLY, Phase 6**)
T: Push-Pull(**With inverted signal, Phase 6**)

Section 6: Power Supply

8: 8-30 VDC(+/- 5%)
5: 5 VDC(+/- 5%)

Section 7: Cable outgoing type

G: Side entry cable
X: Side entry plug

▲ **Standard cable length is 2M**

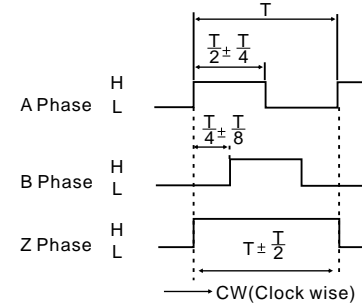
Ratings and Specifications

- Power supply:** 5 VDC / 8-30 VDC
Resolution: 5-5400 ppr
Current consumption: 100mA(Load disconnected)
Load current: 50mA maximum per channel 20mA maximum per channel (Line driver output)
Output type: NPN/PNP open collector/Complementary/Voltage/Line Driver/Push-Pull(HTL with reverse signal)
Frequency: 100K HZ Frequency=RPM*Resolution/60
Maximum permissible speed: 6000 rpm
Shaft loading radial: 25N
Shaft loading thrust: 35N
Weight: Approx 0.65KG
Protection level: IP50
Temperature: operation(-10°C~+70°C), storage(-30°C~+85°C)
Vibration resistance: 50m/s, 10-200 HZ, 1 mm double amplitude for 2 hours each in X, Y, and Z directions
Shock resistance: 980m/s, 6m/s 2 times each in X, Y, and Z directions
Starting torque: 5 x 10⁻³ N.m Maximum

Output circuits and wave forms

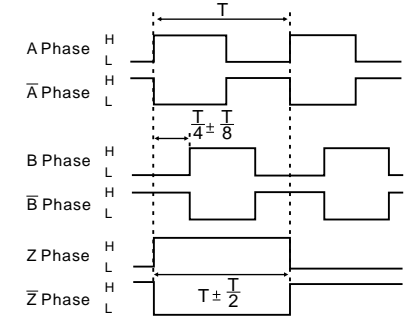
Wave forms

Complementary/Open collector(NPN&PNP)/Voltage output

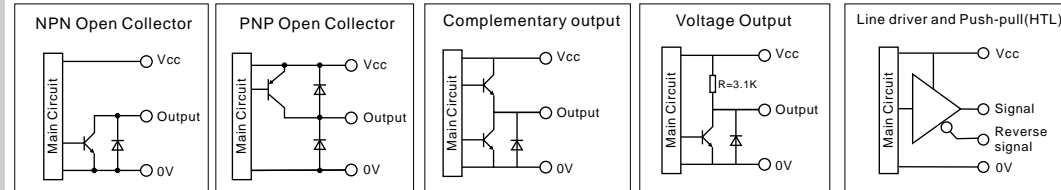


CW: As viewed from the shaft

Line Driver(RS422)/Push-pull(HTL with reverse signal)

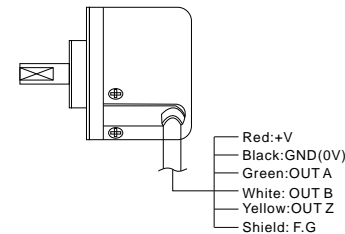


Output circuits

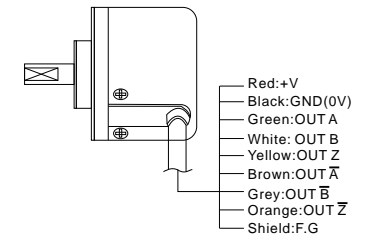


Wiring Details

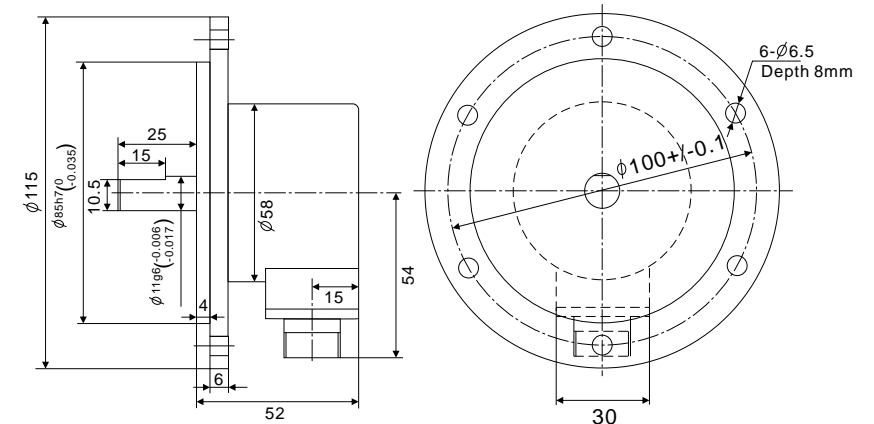
Complementary/Open collector(NPN/PNP)/Voltage output



Line Driver/Push-pull(HTL with reverse signal)



Mounting and Dimensions



M115SA(Mounting Type A)